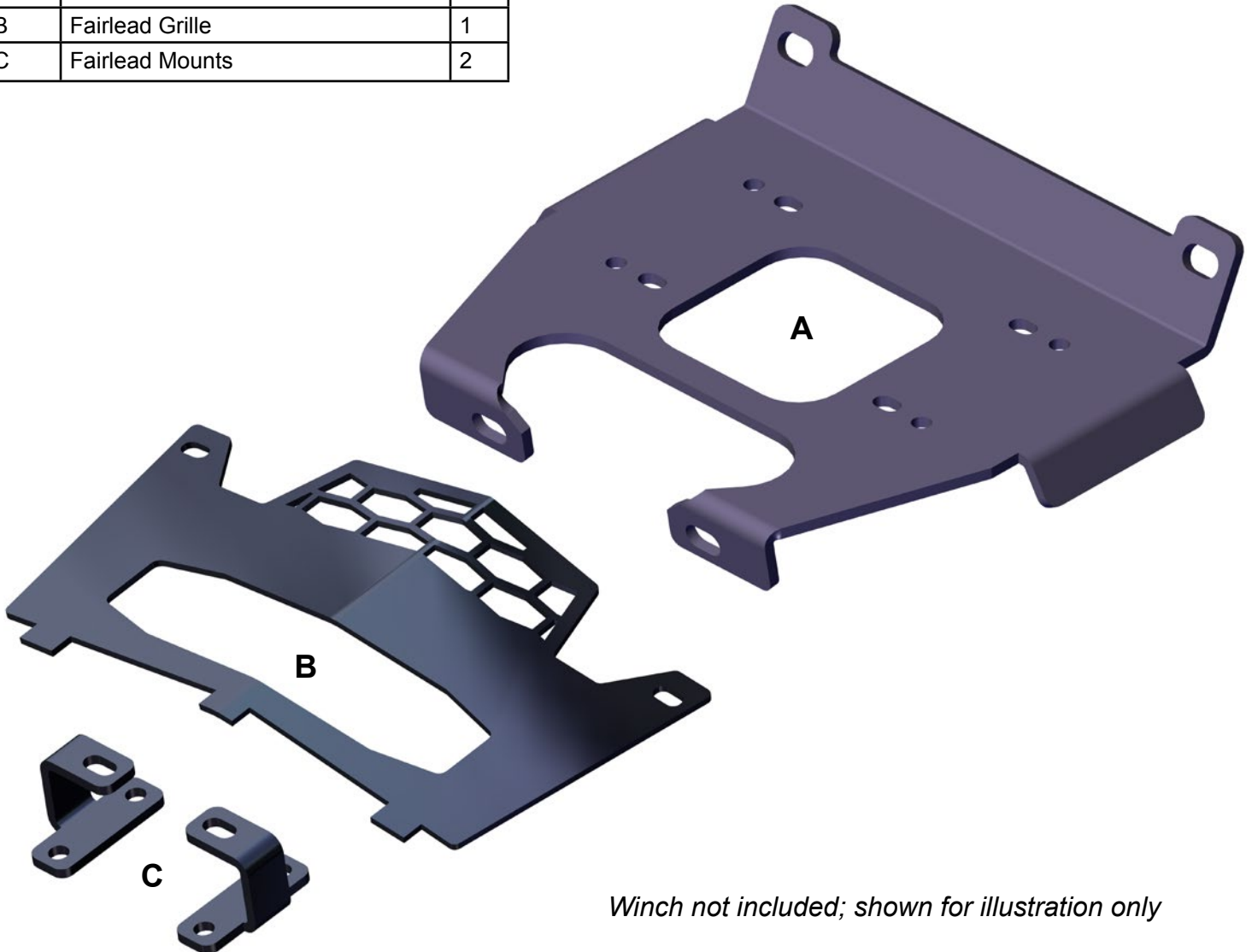


## INSTALLATION INSTRUCTIONS

### Polaris RZR XP1000 Winch Mount

Item	Description	Qty
A	Winch Mount	1
B	Fairlead Grille	1
C	Fairlead Mounts	2



*Winch not included; shown for illustration only*

**Read instructions and view illustrations before beginning.**

**Need help with your installation?**



sales@superatv.com



www.superatv.com



1-812-574-7777



8:00am - 9:00pm EST M-Th  
8:00am - 7:00pm EST Friday  
9:00am - 2:00pm EST Saturday

*Thank You  
For Choosing*

#### Liability Statement

SuperATV's products are designed to best fit users ATV/UTV under stock conditions. Adding, modifying, or fabricating any factory, or aftermarket, parts will void any warranty provided by SuperATV and is not recommended. SuperATV's products could interfere with other aftermarket accessories. If user has aftermarket products on machine, contact SuperATV to verify that they will work together.

Although SuperATV has thousands of satisfied customers, user should be aware that installing lift kits, long travel, or suspension kits, tires, etc will change the ride of machine and may increase maintenance and part wear. Operating any off-road machine while, or after, consuming alcohol and/or drugs increases risk of bodily harm or death. No warranty or representation is made as to this product's ability to protect user from severe injury or death. SuperATV urges operators and occupants to wear a helmet and appropriate riding gear at all times.

By purchasing and installing SuperATV products, user agrees that should damages occur, SuperATV will not be held responsible for loss of time, use, labor fees, replacement parts, or freight charges. SuperATV, nor any 3rd party, will not be held responsible for any direct, indirect, incidental, special, or consequential damages that result from any product purchased from SuperATV. The total liability of seller to user for all damages, losses, and causes of action, if any, shall not exceed the total purchase price paid for the product that gave rise to the claim.

SuperATV will warranty only parts provided by SuperATV. Any damage or problems with OEM housings, bearings, seals, or other manufacturers products will not be covered by SuperATV. SuperATV parts and products are not warranted if item was not installed properly, misused, or modified.

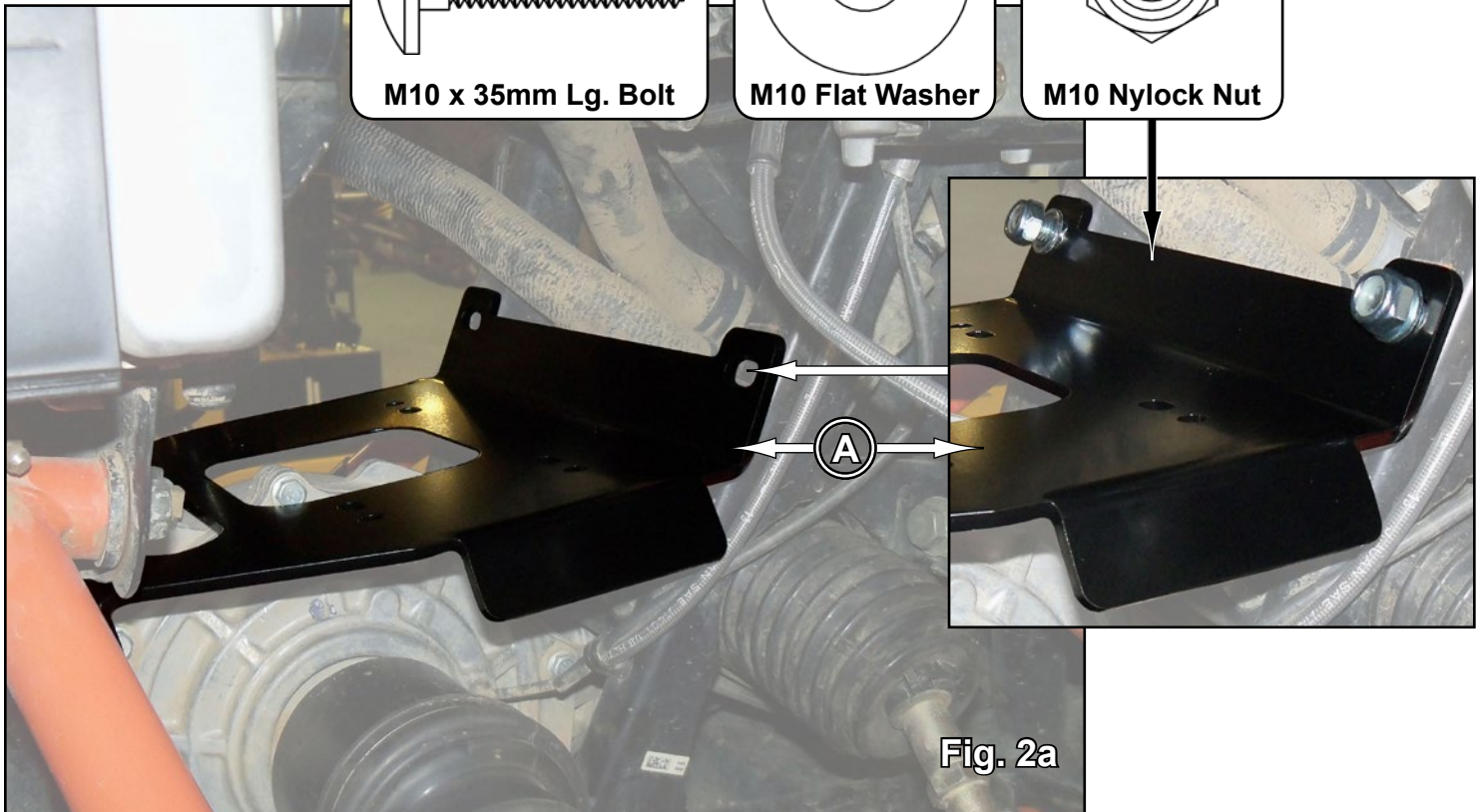
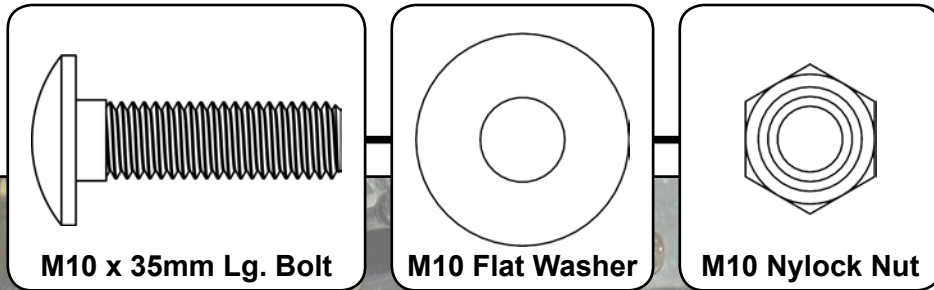
*Do not tighten hardware completely unless noted. Keep all components removed from machine.*

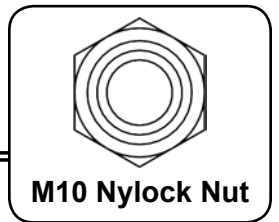
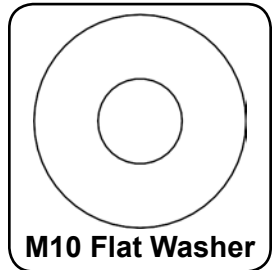
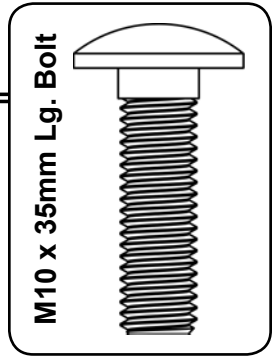
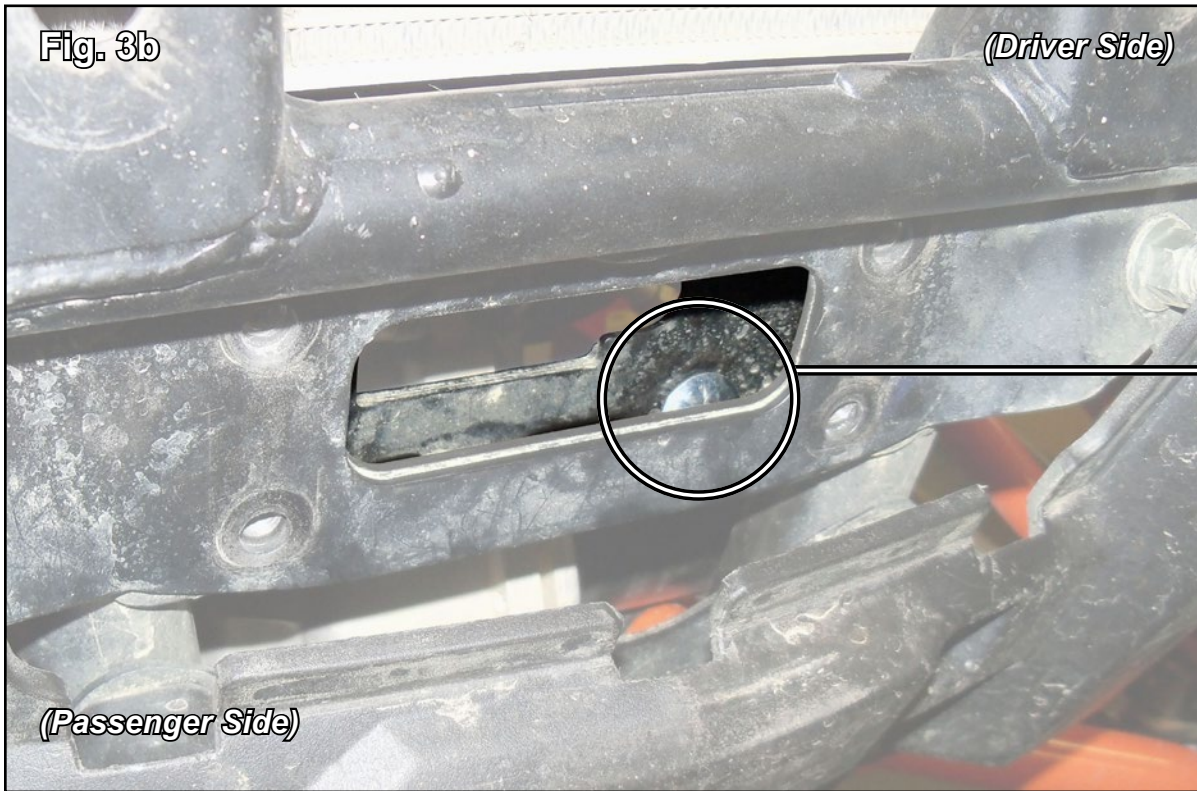
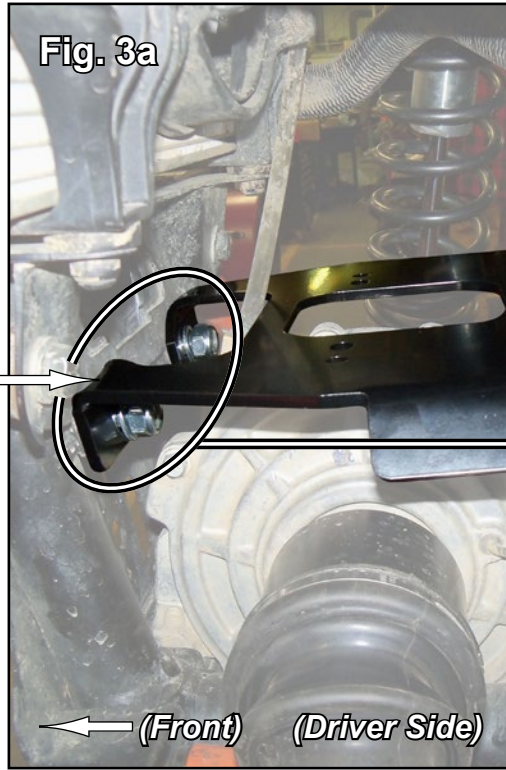
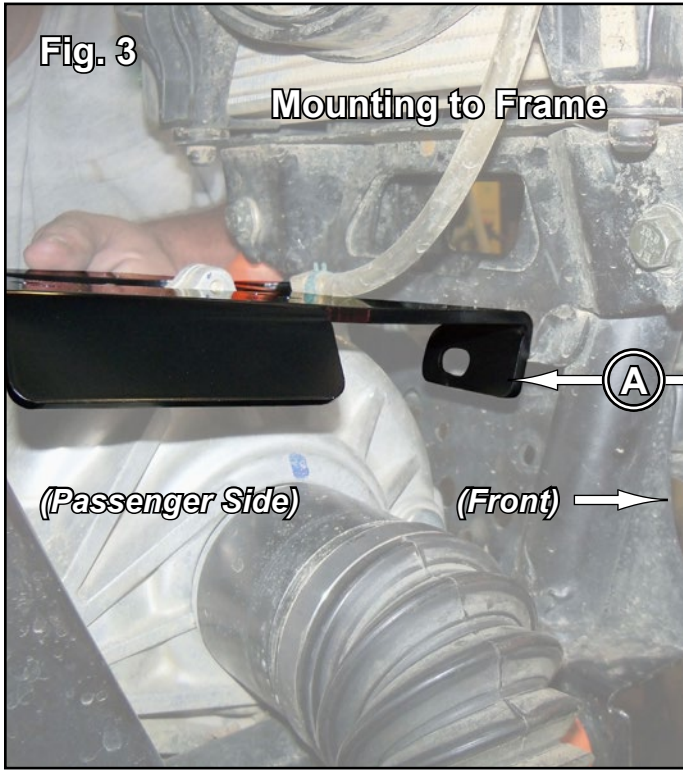
1. Remove Winch Cover and driver side Shock from machine. See Fig. 1.
2. Install Winch Mount (A) to Frame and secure rear most locations with M10-1.50 x 35mm Lg. CCHS, M10 Flat Washers, and M10-1.50 Nylock Nuts. See Figs. 2 - 2a.
  - Secure front most locations with M10-1.50 x 35mm Lg. CCHS, M10 Flat Washers, and M10-1.50 Nylock Nuts. See Figs. 3 - 3b.
3. Insert Winch, through driver side of machine, and secure to Winch Mount (A) *with hardware included with Winch*. See Figs. 4 - 4b.
4. Install Fairlead Mounts (C) to machine with stock hardware as shown in Figs. 5 - 5a. *Note: SuperATV 3500 Lb. Winch will require flipping of Fairlead Mounts. See Fig. 5a.*
5. Install Fairlead (supplied with Winch) to Fairlead Mounts (C) *with hardware included with Winch*. See Fig. 5b.
6. Install Fairlead Grille (B) to stock locations as shown in Fig. 6; secure with stock hardware.



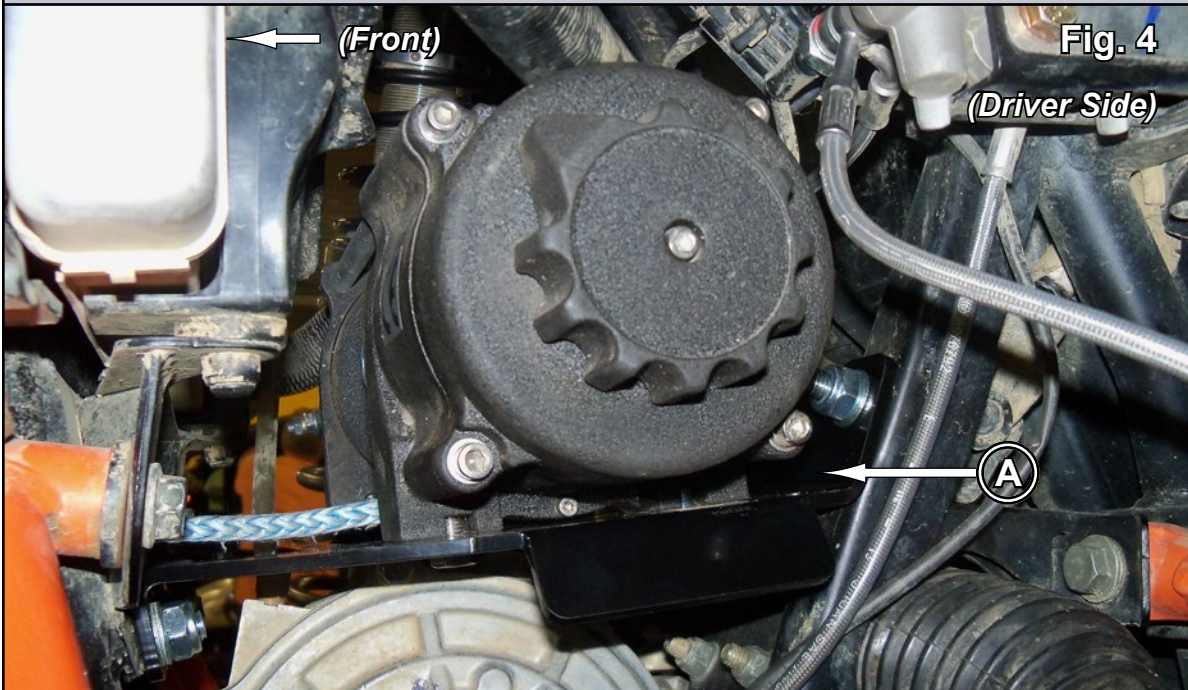
*(installation illustrations continue on following pages)*

# Winch Mount Plate Installation

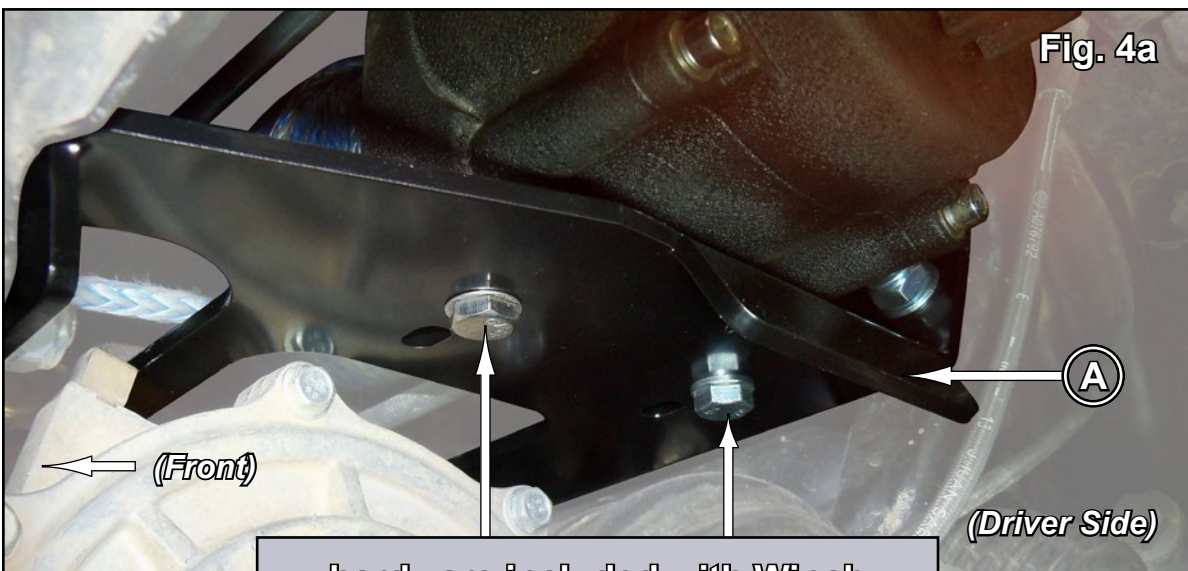




From driver side, insert Winch; secure to Winch Mount (A) with hardware included with Winch



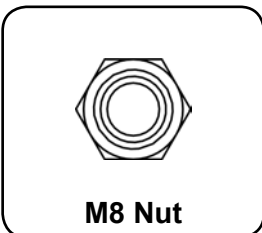
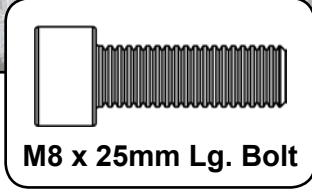
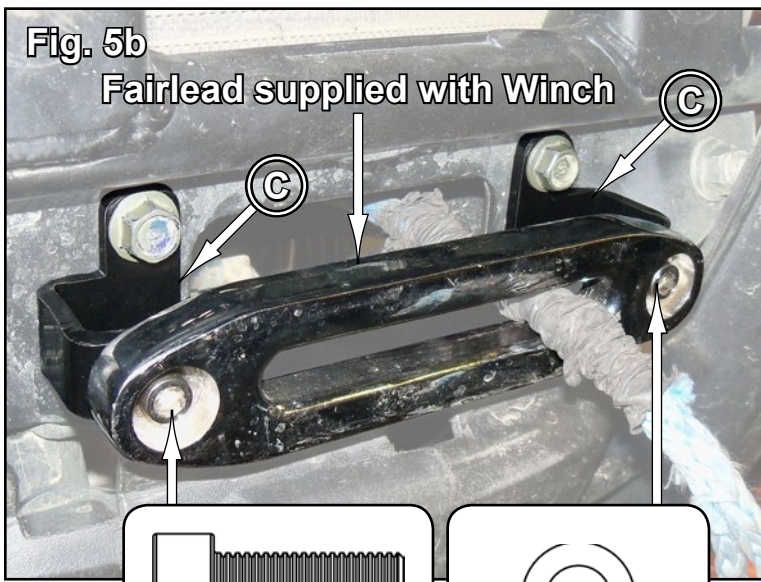
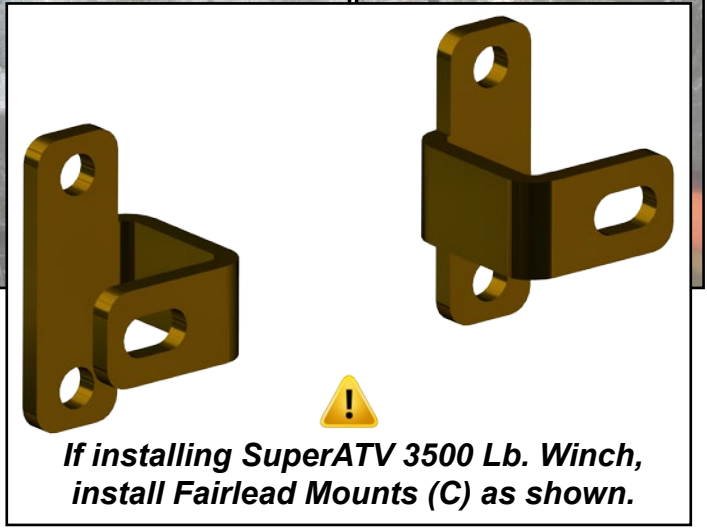
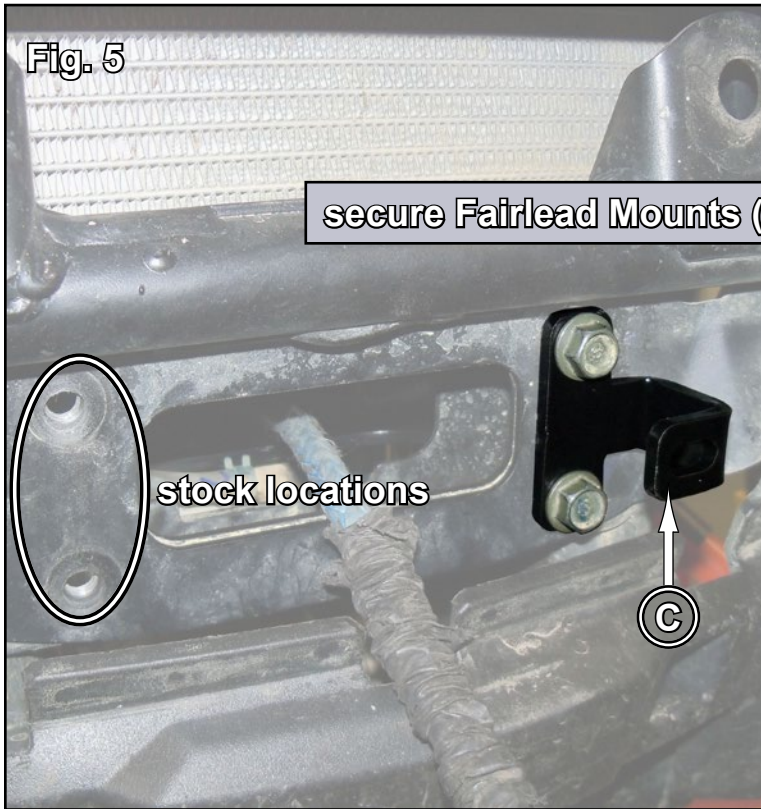
SuperATV Winch, item #4500-W-N, shown



hardware included with Winch



# Fairlead Installation



# Fairlead Grille Installation

