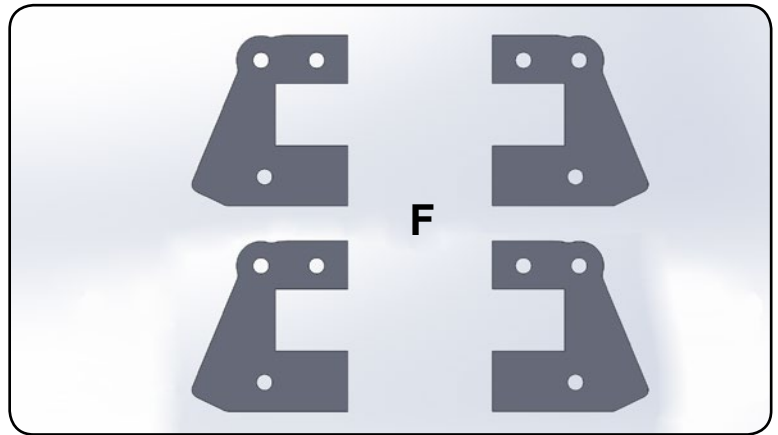
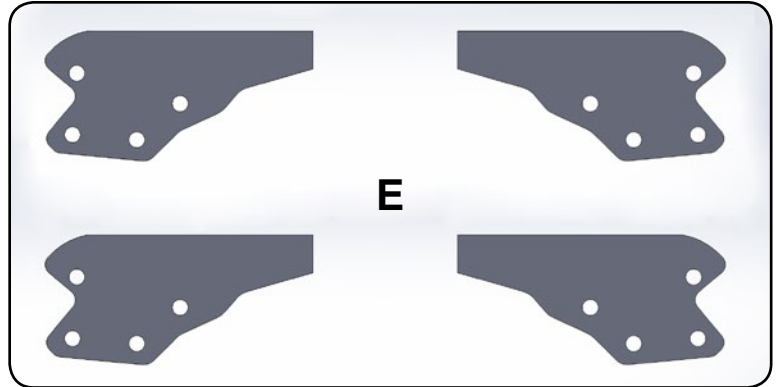
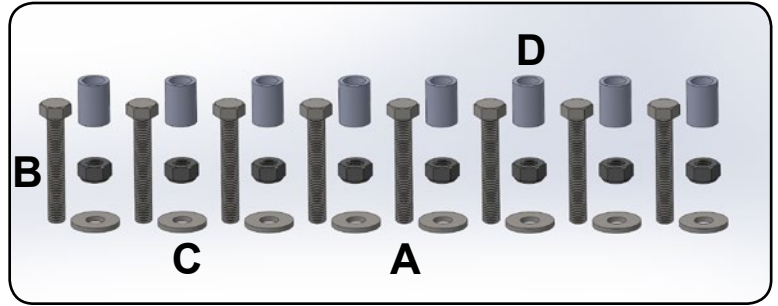


INSTALLATION INSTRUCTIONS

**Polaris Ranger, 2013 XP900,
3" Lift Kit**

Item	Description	Qty
A	M10-1.5 x 65 Lg. HHCS	8
B	M10-1.5 Nylock Nuts	8
C	M10 Flat Washers	8
D	25mm Lg. Spacers	8
E	Front Brackets	4
F	Rear Brackets	4



Read instructions and view illustrations before beginning.

Need help with your installation?

✉ sales@superatv.com 🖥 www.superatv.com

☎ 1-812-574-7777 🕒 8:00am - 9:00pm EST M-Th
8:00am - 7:00pm EST Friday
9:00am - 2:00pm EST Saturday

*Thank You
For Choosing*



Liability Statement

SuperATV's products are designed to best fit users ATV/UTV under stock conditions. Adding, modifying, or fabricating any factory, or aftermarket, parts will void any warranty provided by SuperATV and is not recommended. SuperATV's products could interfere with other aftermarket accessories. If user has aftermarket products on machine, contact SuperATV to verify that they will work together.

Although SuperATV has thousands of satisfied customers, user should be aware that installing lift kits, long travel, or suspension kits, tires, etc will change the ride of machine and may increase maintenance and part wear. Operating any off-road machine while, or after, consuming alcohol and/or drugs increases risk of bodily harm or death. No warranty or representation is made as to this product's ability to protect user from severe injury or death. SuperATV urges operators and occupants to wear a helmet and appropriate riding gear at all times.

By purchasing and installing SuperATV products, user agrees that should damages occur, SuperATV will not be held responsible for loss of time, use, labor fees, replacement parts, or freight charges. SuperATV, nor any 3rd party, will not be held responsible for any direct, indirect, incidental, special, or consequential damages that result from any product purchased from SuperATV. The total liability of seller to user for all damages, losses, and causes of action, if any, shall not exceed the total purchase price paid for the product that gave rise to the claim.

SuperATV will warranty only parts provided by SuperATV. Any damage or problems with OEM housings, bearings, seals, or other manufacturers products will not be covered by SuperATV. SuperATV parts and products are not warranted if item was not installed properly, misused, or modified.

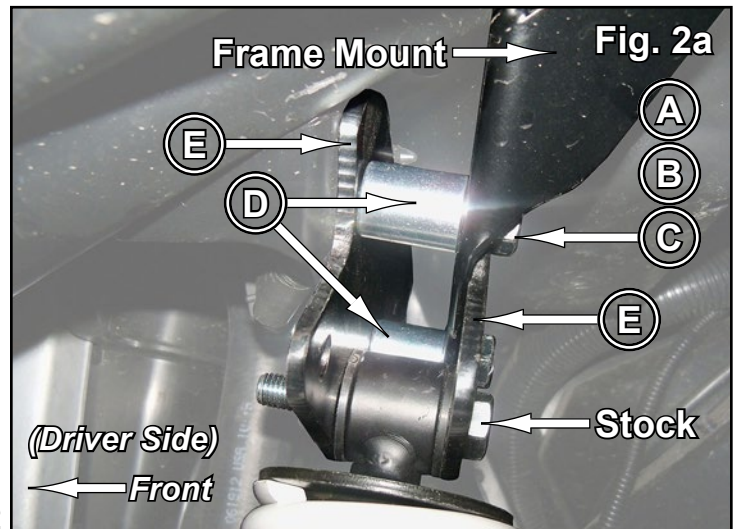
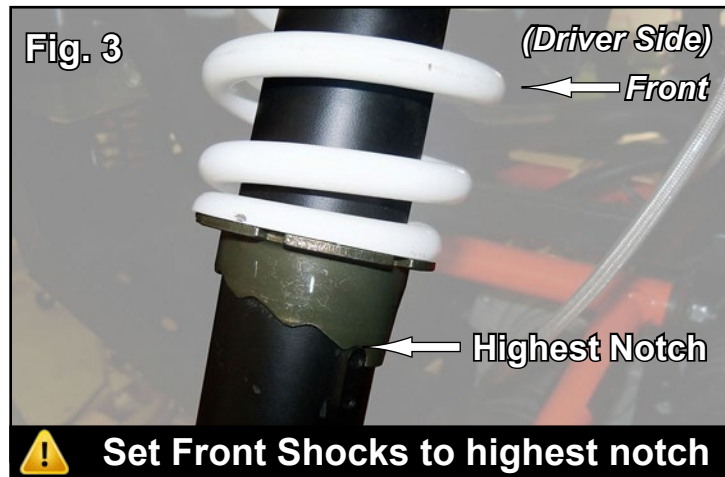
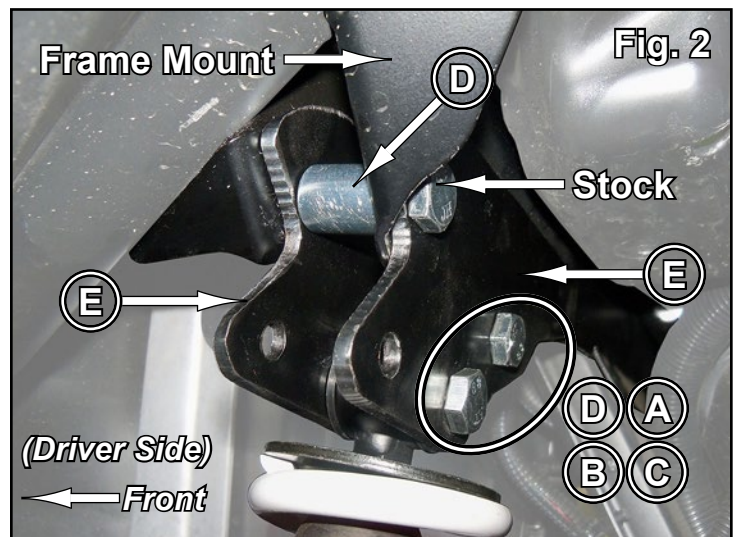
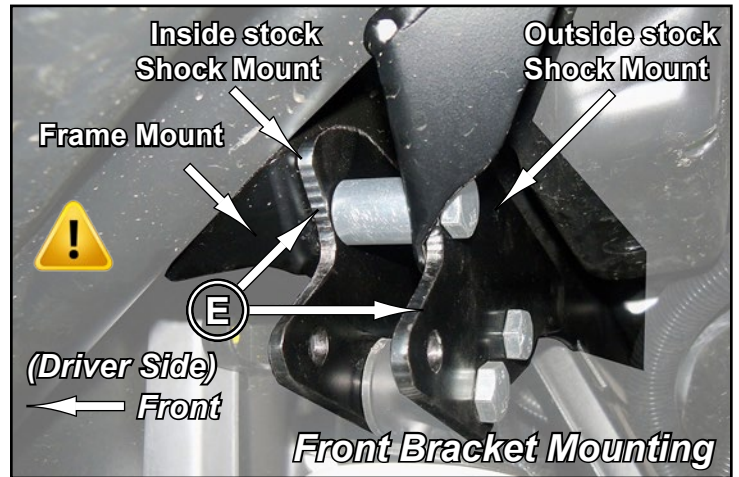
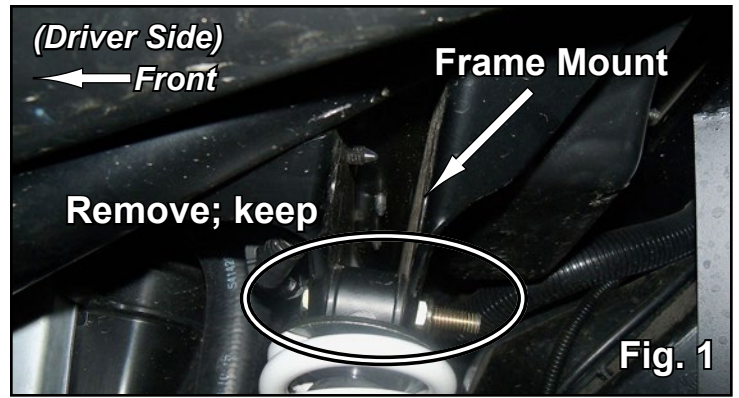
Do not tighten hardware completely unless noted.
Retain all stock hardware for reuse.

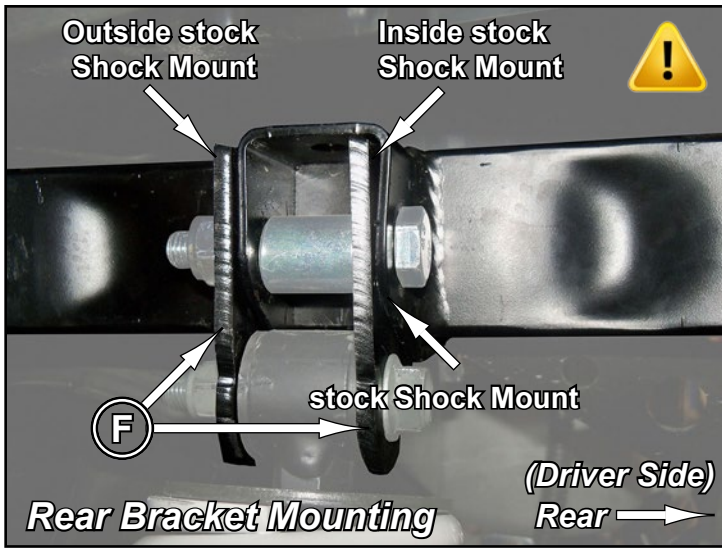
FRONT

1. Raise front of machine off ground, secure with jack stands and remove Wheels.
2. Remove Shocks from Frame Mount. See Fig. 1.
4. Install Front Brackets (E) and 25mm Lg. Spacers (D) with M10-1.5 x 65 Lg. HHCS (A), M10-1.5 Nylock Nuts (B), and M10 Flat Washers. See Front Bracket Mounting, Fig. 2, and Fig. 2a.
5. Set Adjustment Collar so that notch is in highest position and reinstall Shocks to Front Brackets (E) with stock hardware. See Fig. 2, Fig. 2a, and Fig. 3.
7. Tighten hardware completely and reinstall Wheels.

REAR

1. Raise rear of machine off ground, secure with jack stands, remove Wheels, and loosen Sway Bar from A-Arms. See Fig. 4.
3. Remove Shocks from Frame Mount.
4. Install Rear Brackets (F) and 25mm Lg. Spacers (D) with M10-1.5 x 65 Lg. HHCS (A), M10-1.5 Nylock Nuts (B), and M10 Flat Washers. See Rear Bracket Mounting, Fig. 4, and 4a.
5. Reinstall Shocks to Rear Brackets (F) with stock hardware. See Fig. 4 and Fig. 4a.
6. Tighten Sway Bar to A-Arms. See Fig. 5.
7. Tighten all hardware completely and reinstall Wheels.





PARTS REFERENCE

Item	Description
A	M10-1.5 x 65 Lg. HHCS
B	M10-1.5 Nylock Nuts
C	M10 Flat Washers
D	25mm Lg. Spacers
E	Front Brackets
F	Rear Brackets

