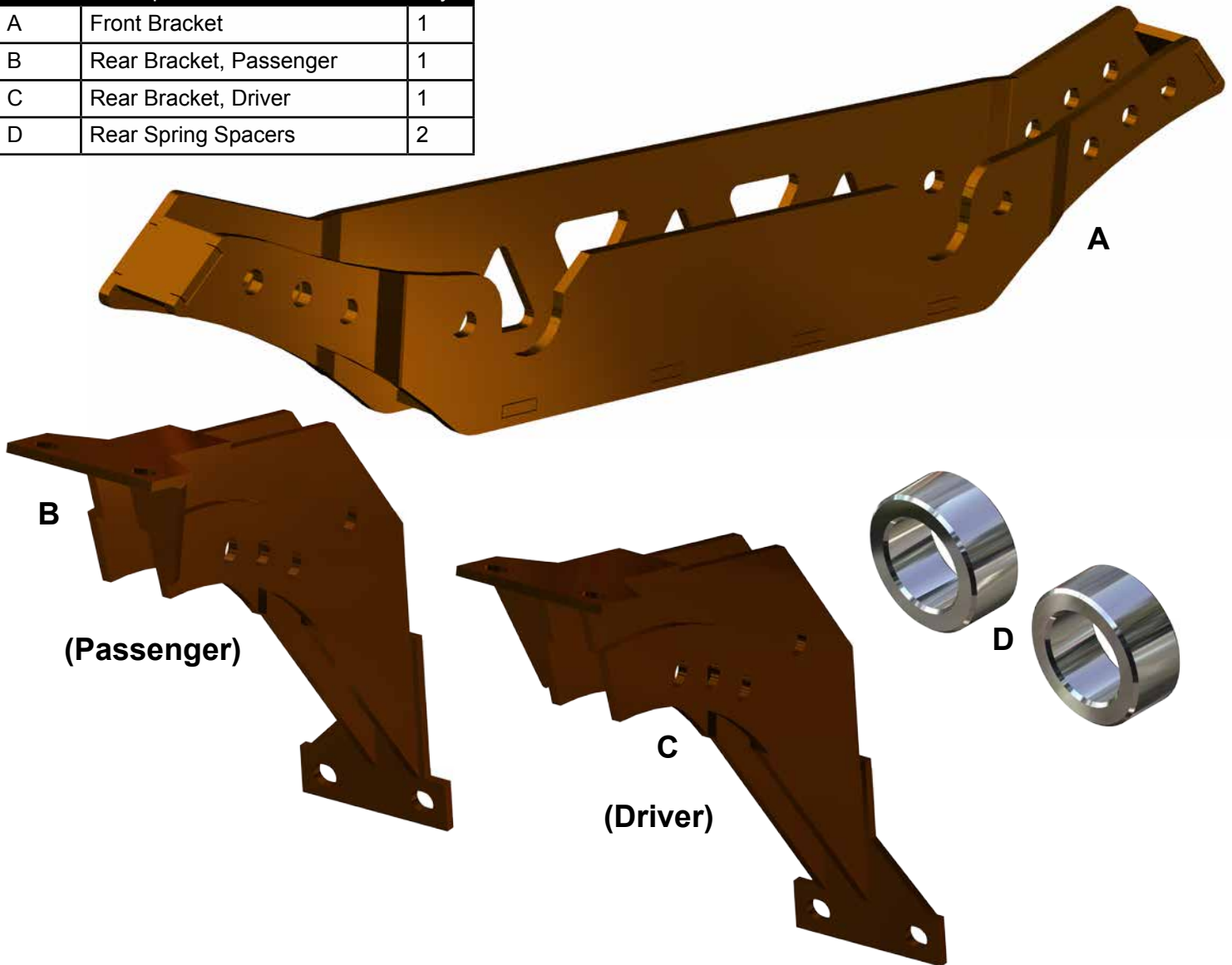


INSTALLATION INSTRUCTIONS

Polaris RZR1000 3" - 5" Lift Kit

Item	Description	Qty
A	Front Bracket	1
B	Rear Bracket, Passenger	1
C	Rear Bracket, Driver	1
D	Rear Spring Spacers	2



Read instructions and view illustrations before beginning.

Need help with your installation?



sales@superatv.com



www.superatv.com



1-812-574-7777



8:00am - 9:00pm EST M-Th
8:00am - 7:00pm EST Friday
9:00am - 2:00pm EST Saturday

*Thank You
For Choosing*



Liability Statement

SuperATV's products are designed to best fit users ATV/UTV under stock conditions. Adding, modifying, or fabricating any factory, or aftermarket, parts will void any warranty provided by SuperATV and is not recommended. SuperATV's products could interfere with other aftermarket accessories. If user has aftermarket products on machine, contact SuperATV to verify that they will work together.

Although SuperATV has thousands of satisfied customers, user should be aware that installing lift kits, long travel, or suspension kits, tires, etc will change the ride of machine and may increase maintenance and part wear. Operating any off-road machine while, or after, consuming alcohol and/or drugs increases risk of bodily harm or death. No warranty or representation is made as to this product's ability to protect user from severe injury or death. SuperATV urges operators and occupants to wear a helmet and appropriate riding gear at all times.

By purchasing and installing SuperATV products, user agrees that should damages occur, SuperATV will not be held responsible for loss of time, use, labor fees, replacement parts, or freight charges. SuperATV, nor any 3rd party, will not be held responsible for any direct, indirect, incidental, special, or consequential damages that result from any product purchased from SuperATV. The total liability of seller to user for all damages, losses, and causes of action, if any, shall not exceed the total purchase price paid for the product that gave rise to the claim.

SuperATV will warranty only parts provided by SuperATV. Any damage or problems with OEM housings, bearings, seals, or other manufacturers products will not be covered by SuperATV. SuperATV parts and products are not warranted if item was not installed properly, misused, or modified.

Removal; *Keep all components removed from machine.*

1. Lift machine and secure on jack stands. Remove Wheels.
2. Remove Front Shocks from Shock Mount.
3. Unclip Wire Harness' from Shock Mount. See illustration below.
- Reroute Vent Hose away from Shock Mount. See illustration below.

After Front Bracket (A) has been installed, reinstall above components in a suitable location.

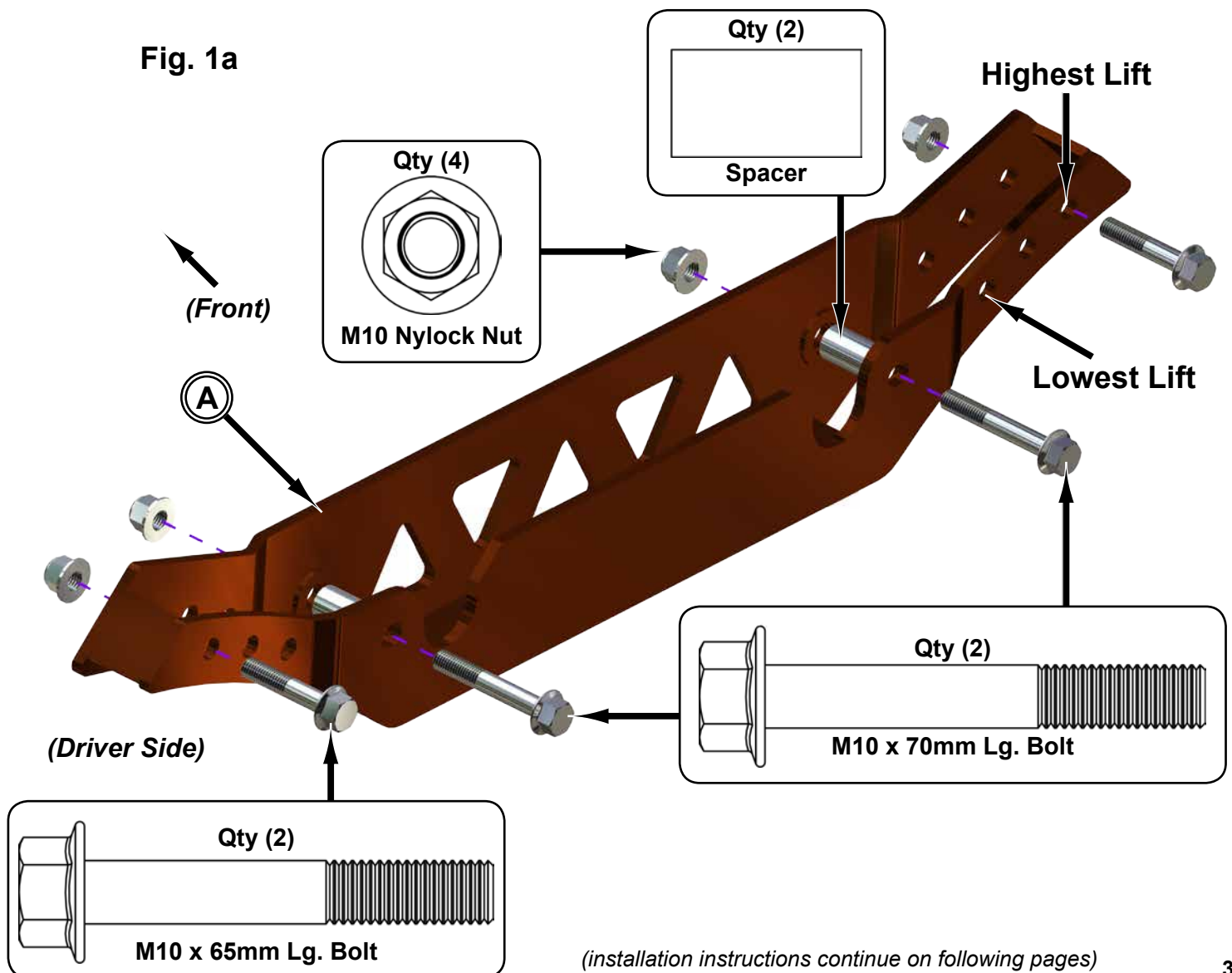
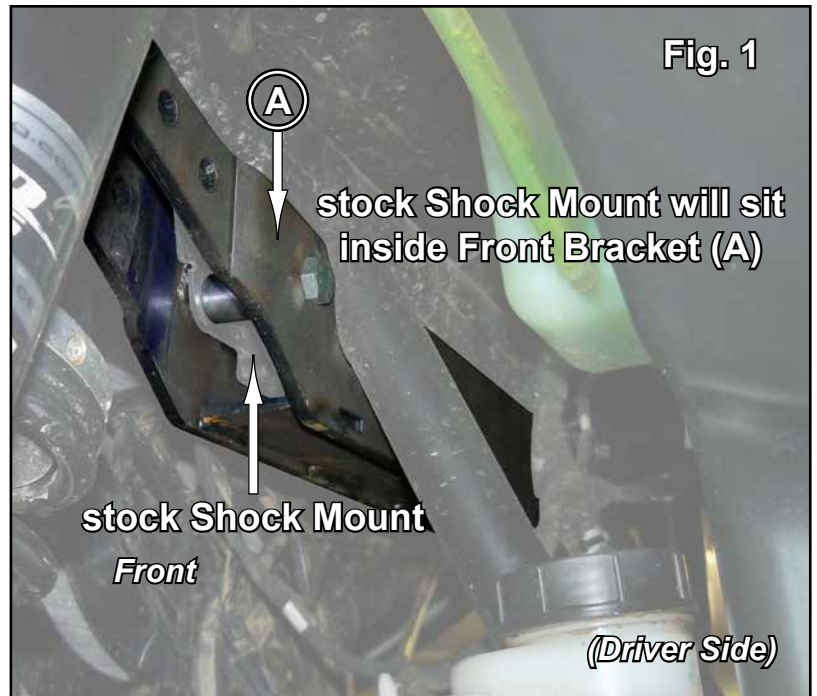
4. Disconnect Rear Intakes and move out of way. Reconnect upon completion of installation. See illustration below.
5. Remove Rear Shocks.



Front Bracket, see Figs. 1 - 1a;

Do not tighten hardware completely unless noted.

1. Install Front Bracket (A) over stock Shock Mount.
- Insert Spacers and secure components with M10-1.50 x 70mm Lg. FHCS and M10-1.50 Nylock Nuts.
2. Determine amount of lift, and install Shocks to Front Bracket (A) with M10-1.50 x 65mm Lg. FHCS and M10-1.50 Nylock Nuts.
3. Tighten all hardware completely.



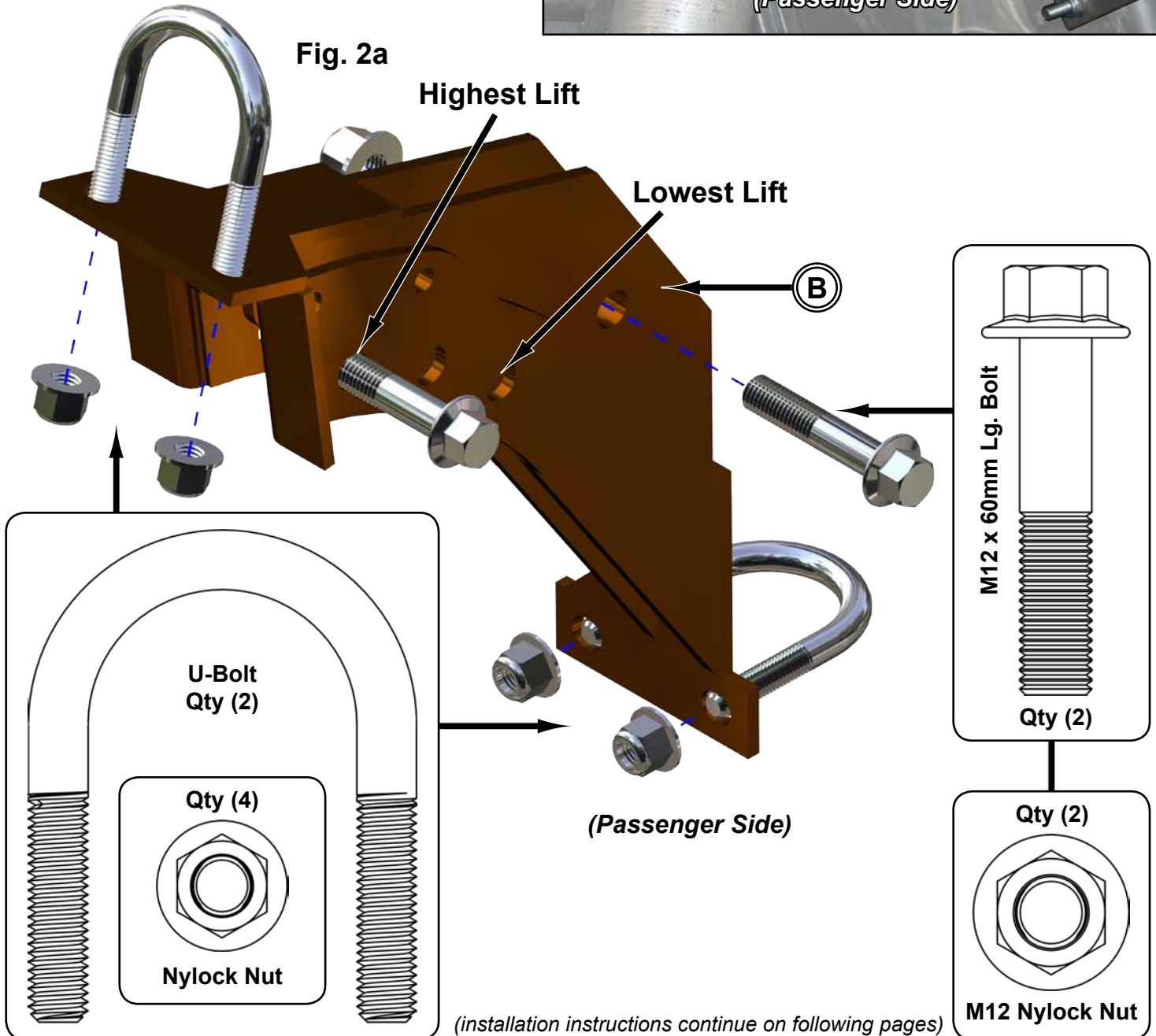
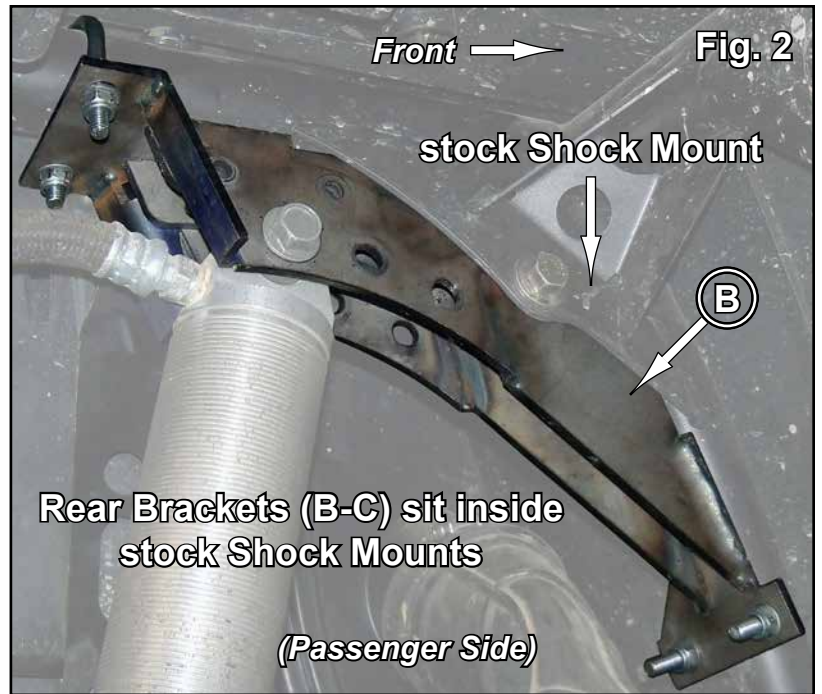
Rear Brackets, see Figs. 2 - 2a;

Do not tighten hardware completely unless noted.

1. Install Rear Brackets (B-C) into stock Shock Mounts.
 - Secure to stock Shock Mount with M12-1.75 x 60mm Lg. FHCS and M12-1.75 Nylock Nuts.
 - Install U-Bolts around Frame and secure to Rear Brackets (B-C) with Nylock Nuts.

Go to Page 5 and install Rear Spring Spacers

2. Determine amount of lift, and install Shocks to Rear Brackets (B-C) with M12-1.75 x 60mm Lg. FHCS and M12-1.75 Nylock Nuts. Install to A-Arms with stock hardware.
3. Tighten all hardware completely.



Rear Spring Spacers (D); SuperATV recommends using a lubricant on threads of Shock when adjusting Nut.

